

NOTES:

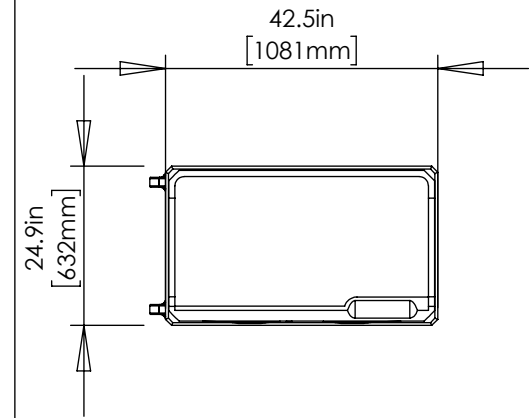
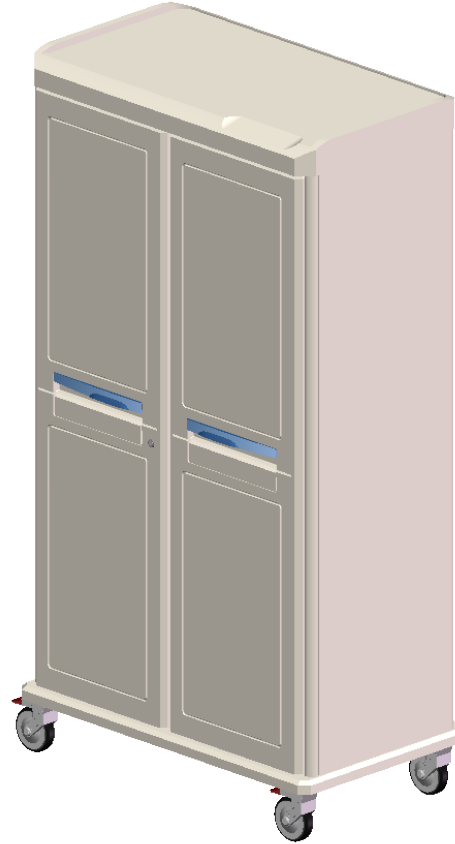
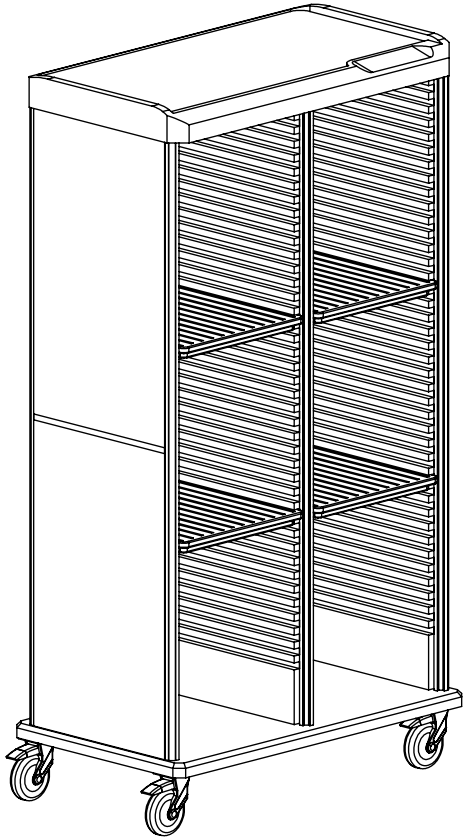
- Dimensions rounded to the nearest 0.1" (3mm).
- Customer is responsible for site preparation To Accommodate the product.
- DRAWER/DOOR PULLS TO BE CODE BLUE

Distribuidor

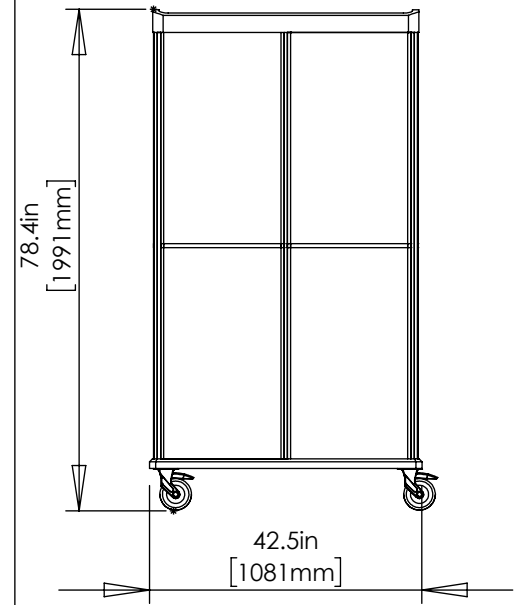
Beracah
MEDICA

ventas@beracahmedica.mx

662 15 10 979



Top View



Rear View



We put space to work.

