

High Frequency Portable X-ray Unit

PORTA100 HF



You've found it !

Compact and light weight X-ray machine,
that is absolutely dependable, high-performance and affordable.

FEATURES

- **Compact & Light Weight**
Size: 160 mm(H) x 161 mm(W) x 300 mm(L) or 6.29 in(H) x 6.33 in(W) x 11.81 in(L)
Weight: 9.2 kg or 20.3 lbs
- kV and mAs selectors adopted a rotary switch system for easy and quick selection of kV and mAs.
- APR switch stores 8 examination parts and corresponding exposure data (kV/mAs) in order to avoid an annoyance from referring these data to the radiographic chart every time.
- Automatic mAs control technique keeps always a real kV selected on the panel in order to obtain an expected picture result even at the place where a certain drop of the line voltage occurs by the high impedance such as from the use of an extremely long extension cable.

for Human Use

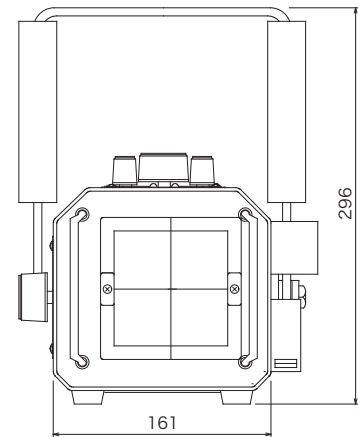
SPECIFICATIONS

Rating	30 mA/40-66 kV 20 mA/68-100 kV
Generator	Inverter control type, 2 kW output
kV setting	40-100 kV (2 kV step). Rotary switch for digital display with 7 segment LED.
mAs selection	0.3-50 mAs (32 settings) Rotary switch for digital display with 7 segment LED. 0.3, 0.4, 0.5, 0.6, 0.7, 0.8, 0.9, 1.0, 1.1, 1.2, 1.3, 1.4, 1.5, 1.6, 1.7, 1.8, 1.9, 2.0, 2.5, 3.2, 4.0, 5.0, 6.4, 8.0, 10, 12, 16, 20, 25, 32, 40, 50 mAs
X-ray tube	a) Focal spot: 1.2 mm x 1.2 mm b) Anode heat storage capacity: 20 kHU c) Target angle: 16 degrees
Total filtration	2.5 mm Al eq. at 100 kV
Power requirement	AC100-120 V/30 A or AC200-240 V/16 A
Collimator	A field lamp with a 30 sec. timer and a cross indication line.
Line cable	3 meters long.
Hand switch	Two stage, deadman type with curled cable. (3 meters long at full extension)
Optimum ambient conditions	Temperature : 20 ± 15°C Humidity : 69 ± 20%

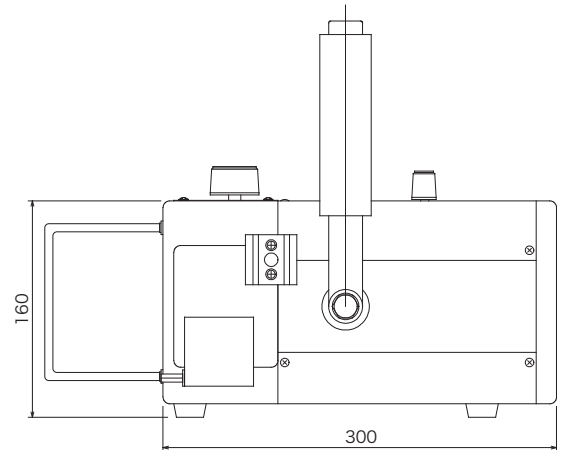


DRAWING

UNIT:mm



FRONT



SIDE

SPECIFICATION & DESIGN ARE SUBJECT TO CHANGE WITHOUT NOTICE.

Made in Japan

FDA **CE**
510(k) Cleared 0120



JOB CORPORATION

HEAD OFFICE
1-19-8 SHINYOKOHAMA, KOHOKU-KU,
YOKOHAMA, KANAGAWA 222-0033 JAPAN
TEL +81-45-473-0113 FAX +81-45-473-0108
URL: <http://www.job-image.com> E-mail: info@job-image.com

